

New Mexico State University

Office of the University Architect

12/19/2019

Summary Report from October and December 2019 Recommendations NMSU Campus Planning Committee Fast Track Items

Presented to: CPC members + F&S resource staff by e-mail

Report by Heather Zack Watenpaugh
Chair, Campus Planning Committee

1. Fast Track Items

- a. **Police Department Fence**- Funded by the NM State Legislature, 2019 General Funds, the Police Department is requesting installation of a new fence and gate for secure storage of police vehicles. Site plan and Fence/Gate Layout are attached.
- b. **Therapeutic Riding Arena Motorized Shades**- Funded by the NM State Legislature, 2019 General Funds, Therapeutic Riding is requesting installation of motorized shades for the existing area. Site plan and elevations of Therapeutic Riding Arena shade screen system attached.

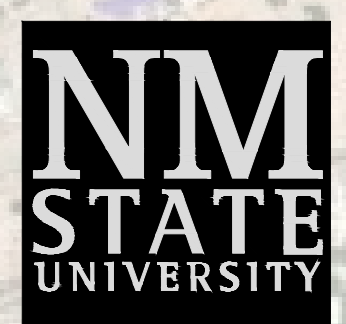
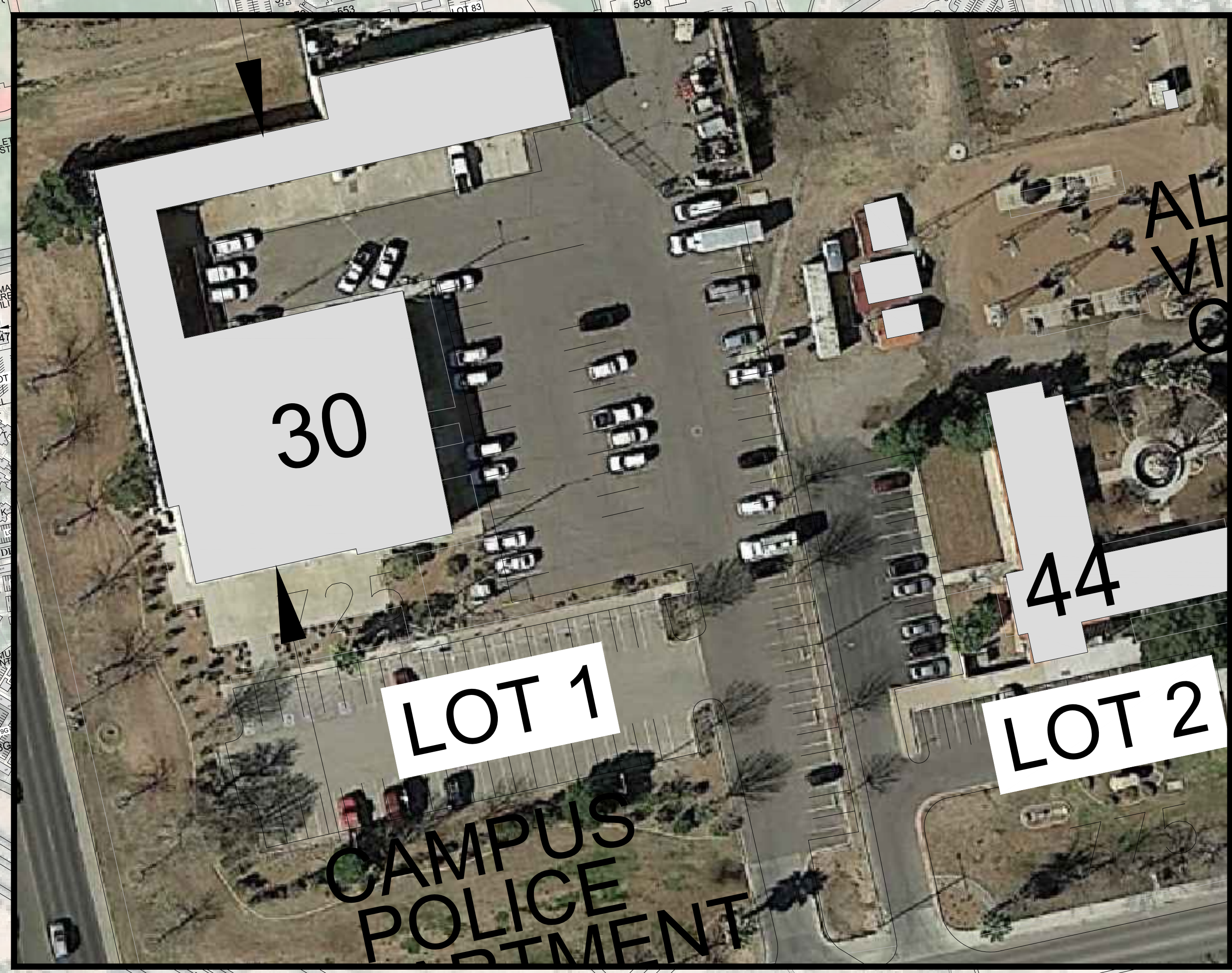
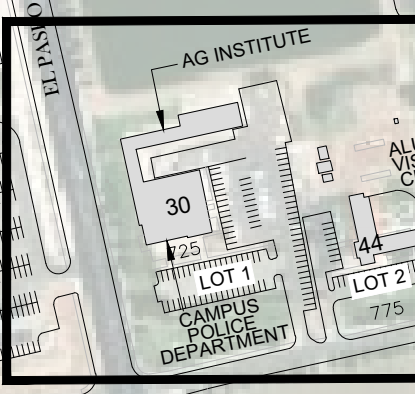
2. Action Items (REVISED):

a. **Baseball Training Facility (REVISED)**

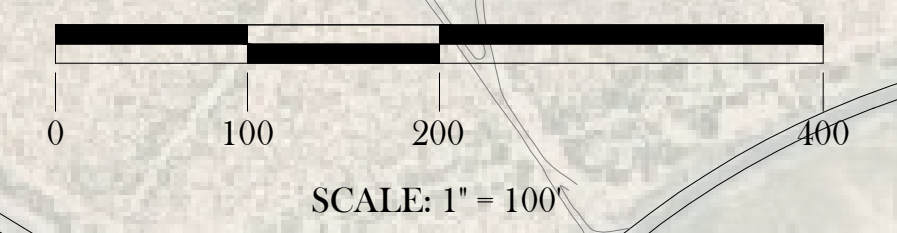
- Project funding - \$855,000 (Donor Gift)
- Proposed Scope of Work
- This project includes:
 - New covered batting cage open air structure for baseball training
 - Covered batting cages with three designated hitting areas
 - Two dual-use batting and pitching areas
 - Structure with a standing seam metal roof and exterior screen walls
 - Site improvements at existing stadium and field per Athletics Facilities Master Plan



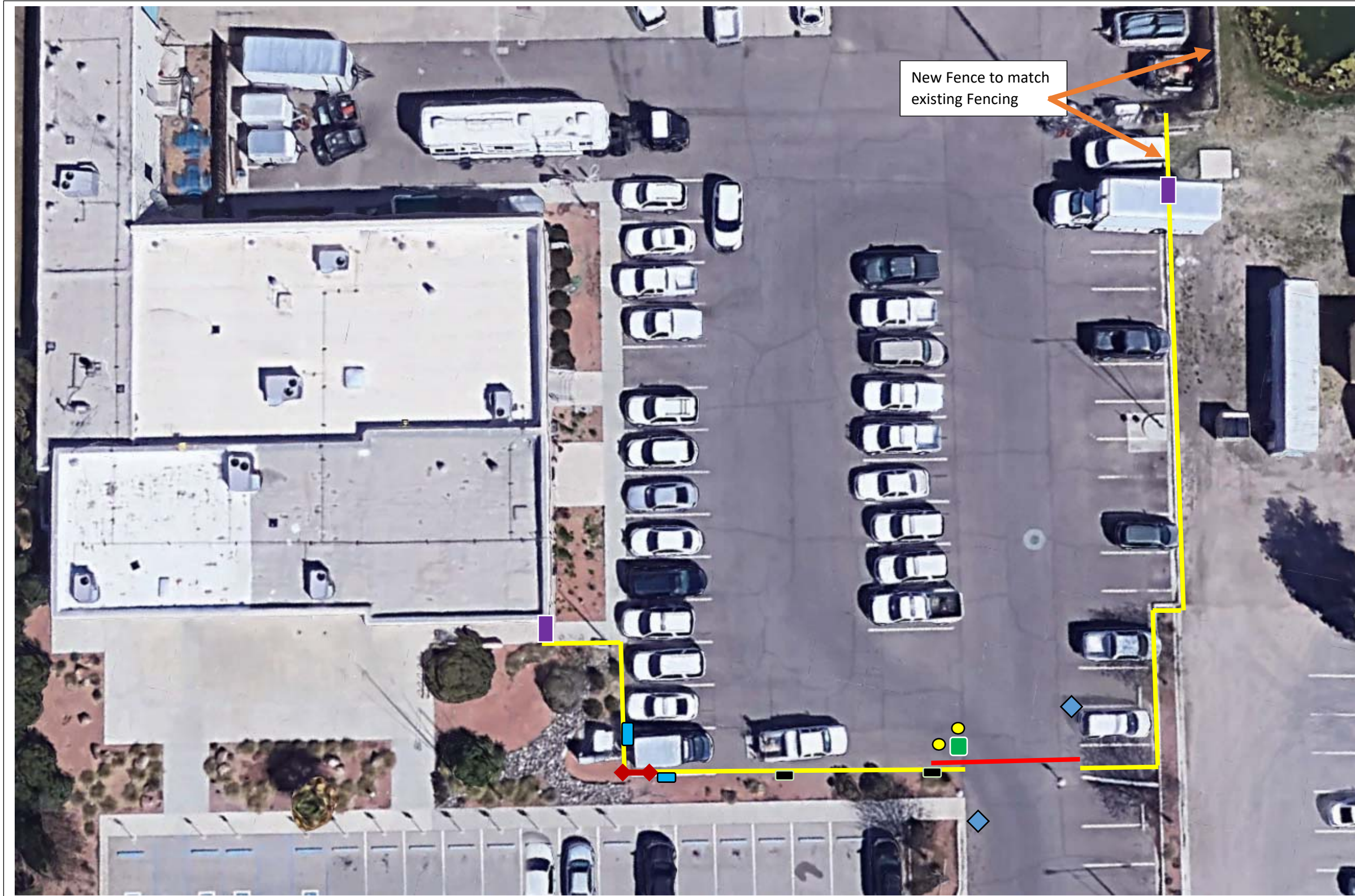
POLICE DEPARTMENT FENCE



New Mexico State University
 Las Cruces Campus
 Facilities Space Planning - September 2019



Fence and Gate Layout



New Fence to match existing Fencing

- ◆ Man gate access with blackboard control located on building wall. Man gate operator connected to Blackboard controller and 120-V power supply

- Blackboard access controller located on south and east walls to access man-gate.

- ◆ Blackboard access controller on stanchion with Bollard on both the north and south side of the concrete island. Located approximately 10 feet from the gate on the north and south sides. See detail.

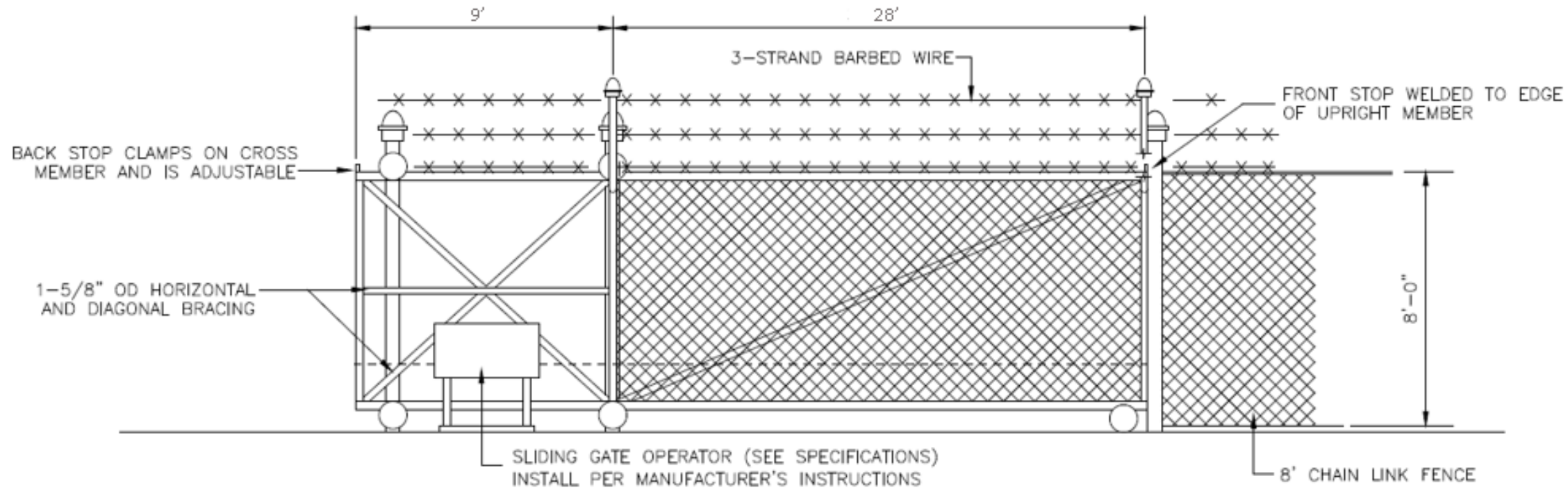
- 1/2-HP, 120 volt, single-phase, sliding gate operator with concrete pad per manufacturer's installation instructions.

- See Bollard detail this plan set. Bollards to protect back side of Card reader stanchion and exposed side of sliding gate controller. See bollard detail.

- 9-gauge chain link fence gate 36" wide with locking hardware. Continue with three strands of Barbed wire over gate top.

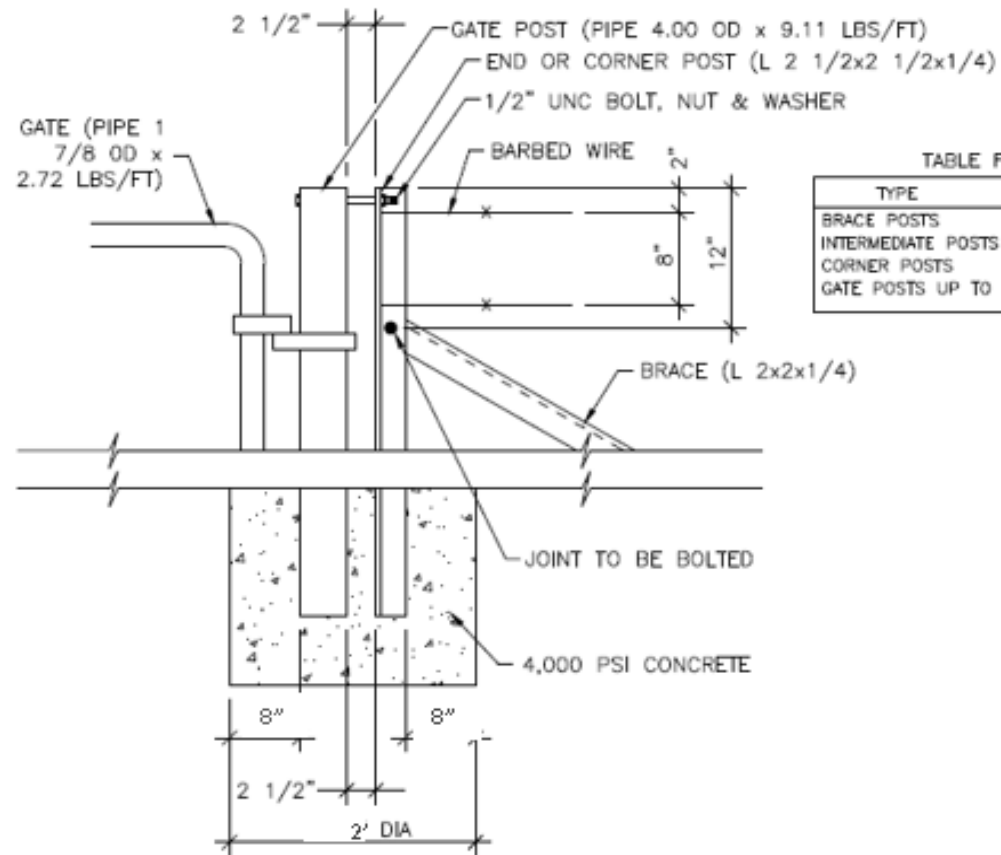
- Pedestrians traffic signage, see detail.

Sliding Gate Detail



28' SLIDING VEHICLE ACCESS GATE DETAIL

NOT-TO-SCALE

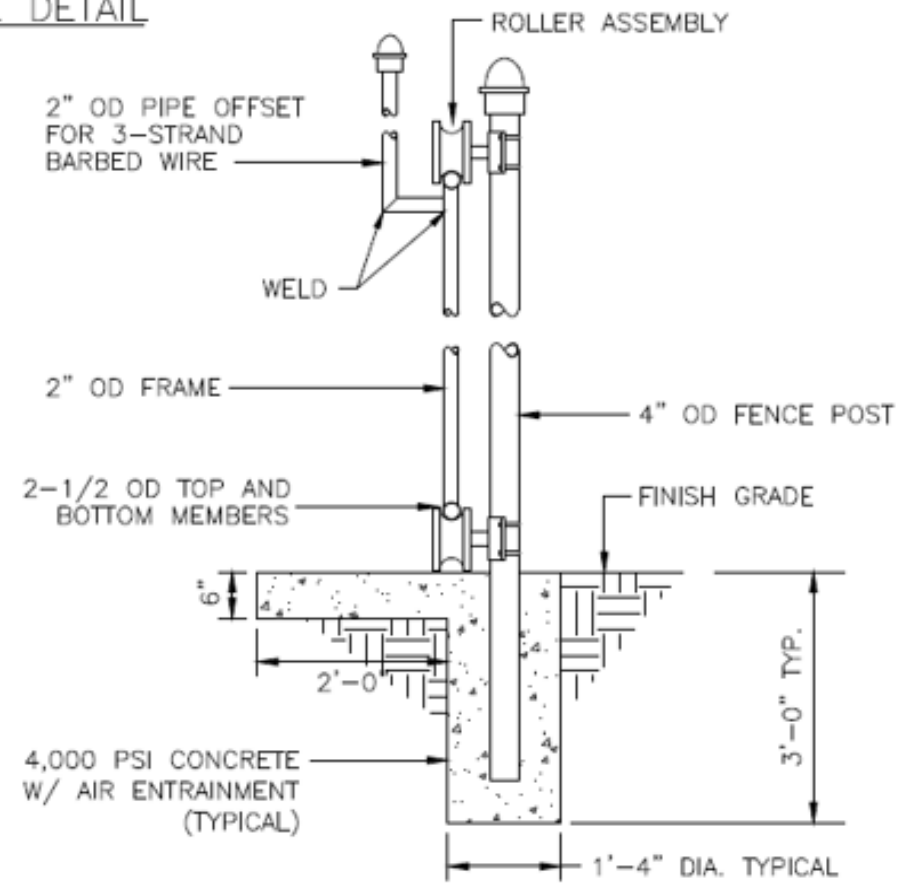


FENCE/GATE DETAIL

NOT-TO-SCALE

TABLE FOR TUBULAR POSTS

TYPE	O.D. INCHES	WT. LBS/LF
BRACE POSTS	1.66"	2.27
INTERMEDIATE POSTS	2.875"	5.79
CORNER POSTS	4.00"	9.11
GATE POSTS UP TO 18' FEET	4.00"	9.11



SLIDING VEHICLE ACCESS GATE FRAME DETAIL

NOT-TO-SCALE

Scope of Work for Concrete Sidewalk

1. Contractor to supply and install concrete sidewalk as outlined by the drawings. All concrete will be 4000 PSI rated and will be tested by the contractor using a third party testing agency. Contractor will submit written testing reports to NMSU Project Manager.
2. Contractor to supply and install all back fill material and compact to 95%
3. Contractor to supply and install clean dirt to match grade from the ramp incline to 5 feet east and west of the sidewalk edge.
4. Location of man gate card swipe and gate controller will not interfere with gate operation. Electrical contractor and sidewalk contractor to coordinate locations of card reader and electrical conduits and card reader stanchion locations and type.

Scope of Work for the Fence and Sliding Gate Operator.

1. Contractor to supply and install new fencing to match existing fencing; approximately 9 gauge wire fence, 8 foot height fence with appropriate hardware to match existing fence at NMSU Police Department.
2. Contractor to supply, install, and terminate Lift Master SL58501UL, ½-HP, 120/208 volt, single-phase, sliding gate operator or equivalent and concrete pad for gate operator.
3. Contractor to supply and install sliding gate 28 feet long and 8 feet high to work with sliding gate operator.
4. Contractor to supply and install all equipment related to sliding gate controller manufacturer's instructions.
5. Contractor to supply and install two controller stanchions with bollards for Blackboard controllers; one south and one north of the gate controller.
6. Contractor to supply and install lockable man gate in northeast side of new fence. Contact NMSU Project Manager for location.
7. Contractor to supply and install bollards along southwest sidewalk.
8. All concrete will be 4000 PSI rated.

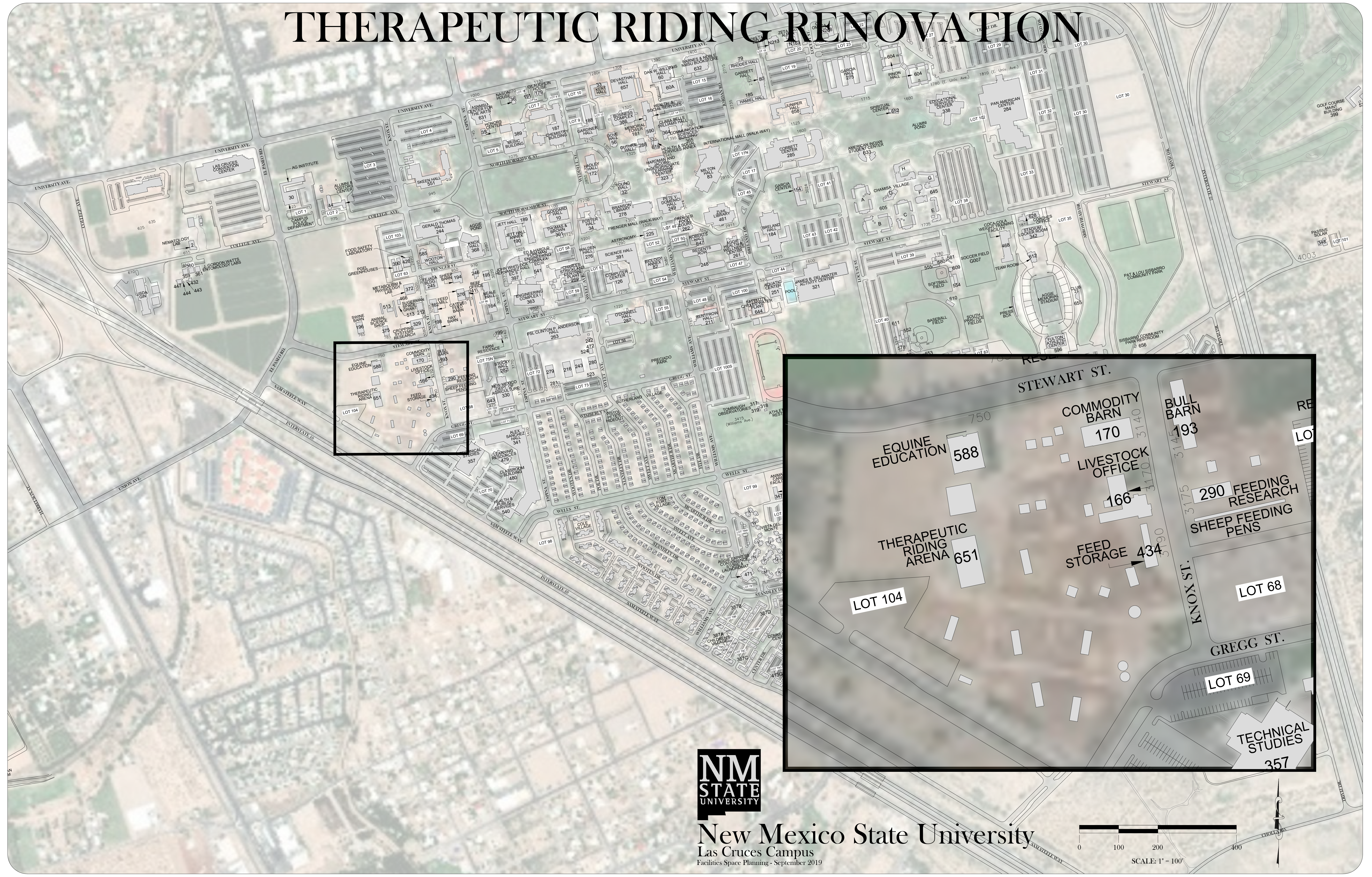
Scope of Work for Card Swipe Controlled Man Gate and Lockable Man Gate.

1. Contractor to supply and install two (2) 36" wide man gates to work new fence. One man-gate at the end of the ADA ramp to operate with man gate controller and one man gate with pad lockable hardware on the northeast side of the new fence. Contact NMSU Project Manager for location of this lockable man gate.
2. Contractor to supply and install all equipment related to mounting man gate controller and card readers including stanchions, frames mounts and brackets.
3. Contractor to supply and install two controller stanchions for Blackboard card readers. See stanchion details.
4. Contractor to supply and install bollards along southwest sidewalk.
5. Contractor to supply and install bollard on west side of north card reader island.
6. All concrete will be 4000 PSI rated.

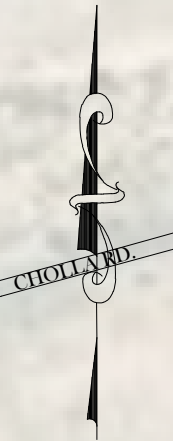
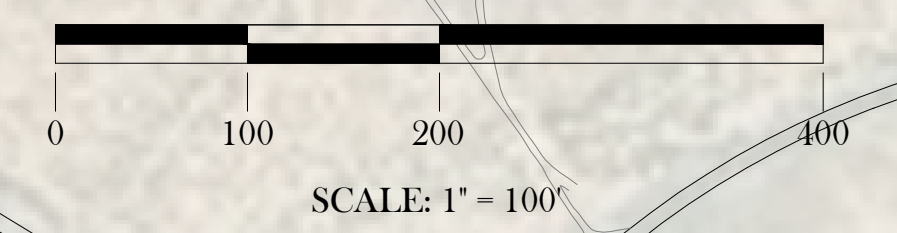
Scope of Work for Blackboard and Power Systems

1. Contractor to install and terminate owner supplied Blackboard control equipment per plan set. Owner supplied equipment: one blackboard controller located in communications closet; four Blackboard swipe units, two on the building and one for each stanchion; Blackboard cable.
2. Contractor to supply, install, and terminate power conductors, control conductors, related conduits and junction boxes, and BlackBoard equipment.
3. Contractor to supply, install, and terminate communications cables connecting to NMSU fiber systems. Contractor to contact NMSU ICT for communications cables and terminating hardware specifications.
4. Contractor to supply, install and terminate conduit, conductors, GFI receptacle, box, device cover and stanchion for motorcycle charging station.
5. Contractor to supply, install and terminated all breakers for panelboard circuits.

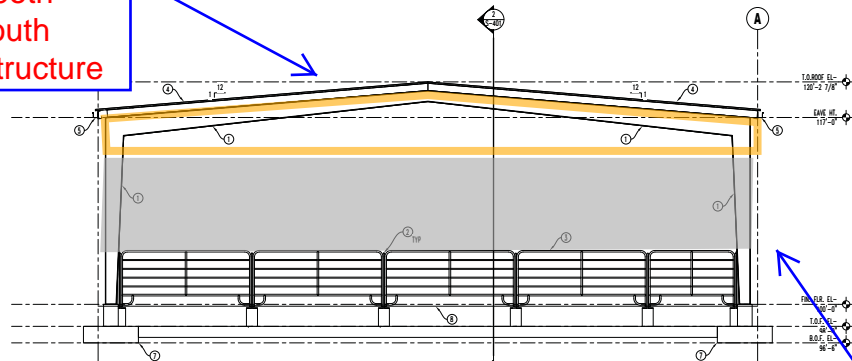
THERAPEUTIC RIDING RENOVATION



New Mexico State University
Las Cruces Campus
Facilities Space Planning - September 2019



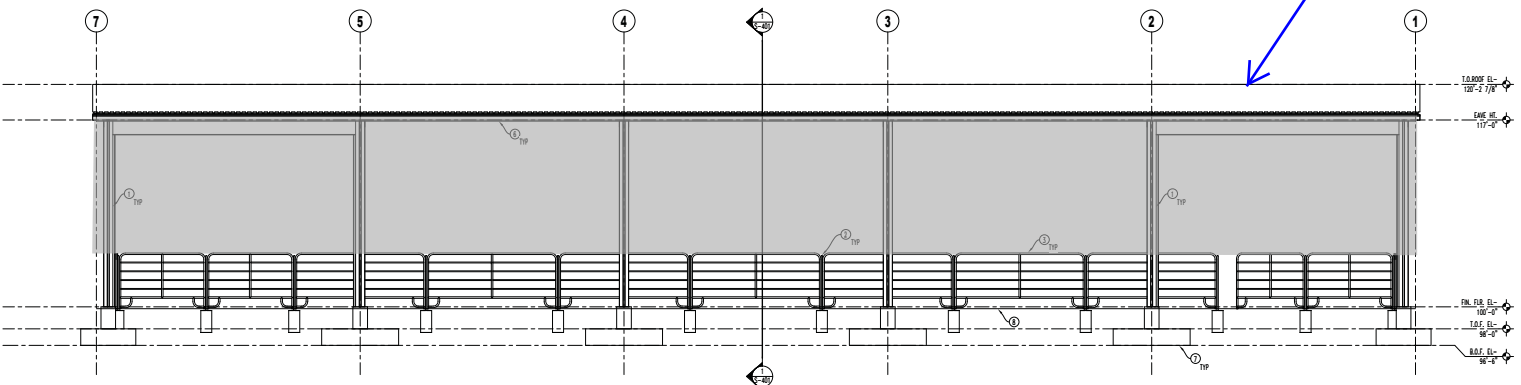
Metal siding closures to be added on both North & South Sides of Structure



NORTH ELEVATION
SCALE: 3/16" = 1'-0"

- KEY NOTES
1. MAIN FRAME COLUMN AND BENT BY METAL BUILDING MFG.
 2. BALLARD REFER SECTION 3/5-500.
 3. CORRAL PANEL MATCH WITH POST SPACING. PANELS SHALL BE PORTABLE, 5 FEET HIGH WITH SIX HORIZONTAL BARS. PANELS SHALL BE POWDER COATED OR GALVANNEED AND CONSTRUCTED FROM 15ga MATERIAL. MINIMUM GATES SHALL MATCH PANEL CONSTRUCTION.
 4. METAL ROOF PER METAL BUILDING MFG.
 5. GUTTER PER METAL BUILDING MFG.
 6. ROOF PURLIN PER METAL BUILDING MFG.
 7. FOUNDATION REFERENCES SHEET S-201.
 8. 3" GRANULAR FILL - REFERENCE STRUCTURAL NOTES.

Motorized roll up shade screen system



WEST ELEVATION
SCALE: 3/16" = 1'-0"



STAMP	
DATE	09/30/14
SUBMITTAL	
ISSUED FOR	

THERAPEUTIC RIDING
ARENA
FOR
NEW MEXICO STATE UNIVERSITY

ELEVATIONS
S-400
SEPTEMBER 30, 2014
JOB NO.: N03-012

Proposed Scope of Work

Project Budget \$855,000

This project includes:

- New covered batting cage open air structure for baseball training
- Covered batting cages with three designated hitting areas
- Two dual-use batting and pitching areas
- Site improvements at existing stadium and field per Athletics Facilities Master Plan

Proposed Building Demographics

- **Year Built:** Varies
- **Last Expansion:** 2014
- **Building Size:** 6,735 SF (4 buildings include the office/locker room, locker room, restroom, and visitor's buildings)
- **Construction Type:** Varies
- **Future Use:** Baseball Training Facility



Proposed Project Schedule

- Completion of Design – December 2019
- Start of Construction – May 2020
- Completion of Construction – May 2021

Funding Sources and Prior Approvals

Project Funding — \$855,000

- Donor Gift — \$855,000

Prior Approval

N/A

Proposed Rendering



Proposed covered baseball training facility

Proposed Rendering



Proposed baseball training facility plan diagram